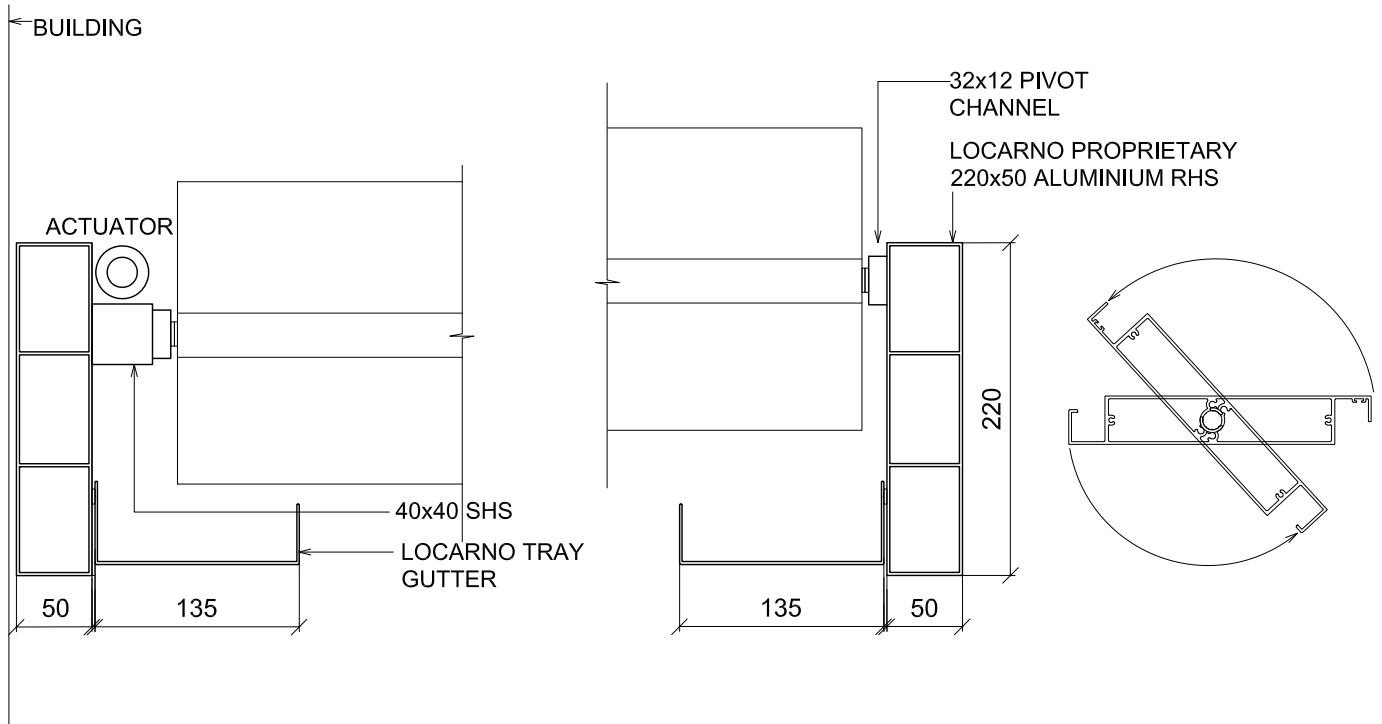
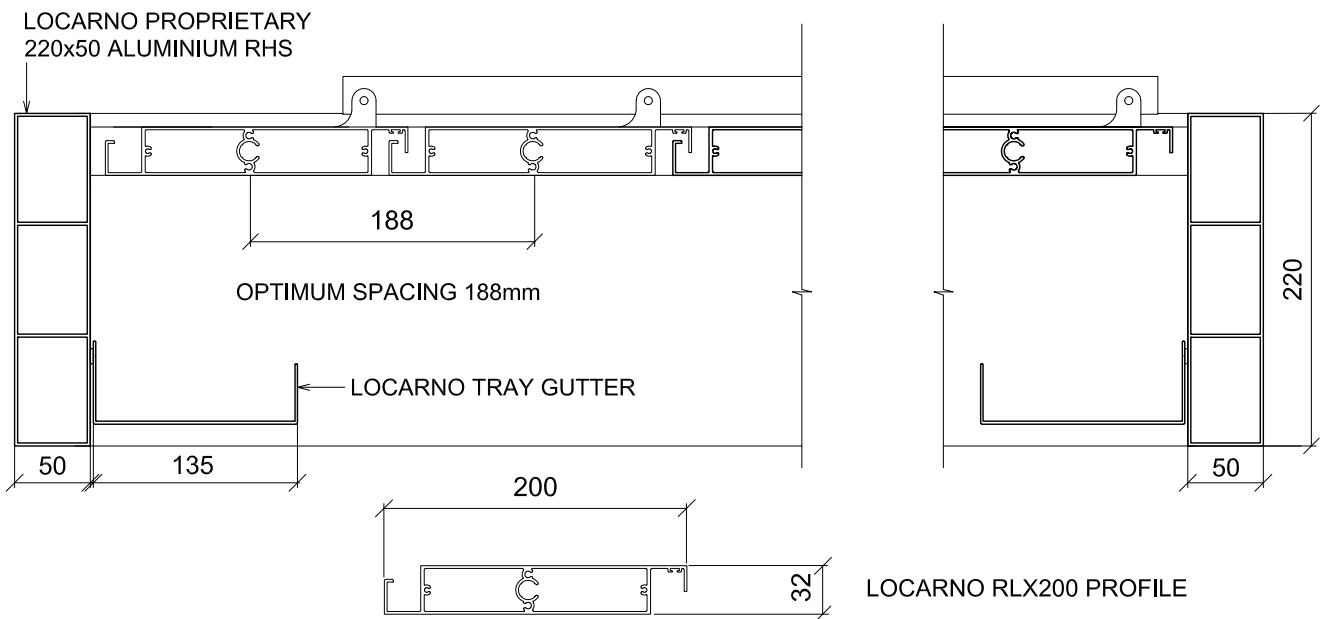


RLX200 >> SINGLE BAY LOUVRE ROOF >> RHS FRAME

>>SHORT SECTION



>>LONG SECTION



LOUVRES CAN BE ORIENTATED AT RIGHT ANGLES OR PARALLEL TO THE BUILDING

LOCARNO LOUVRES

3.03

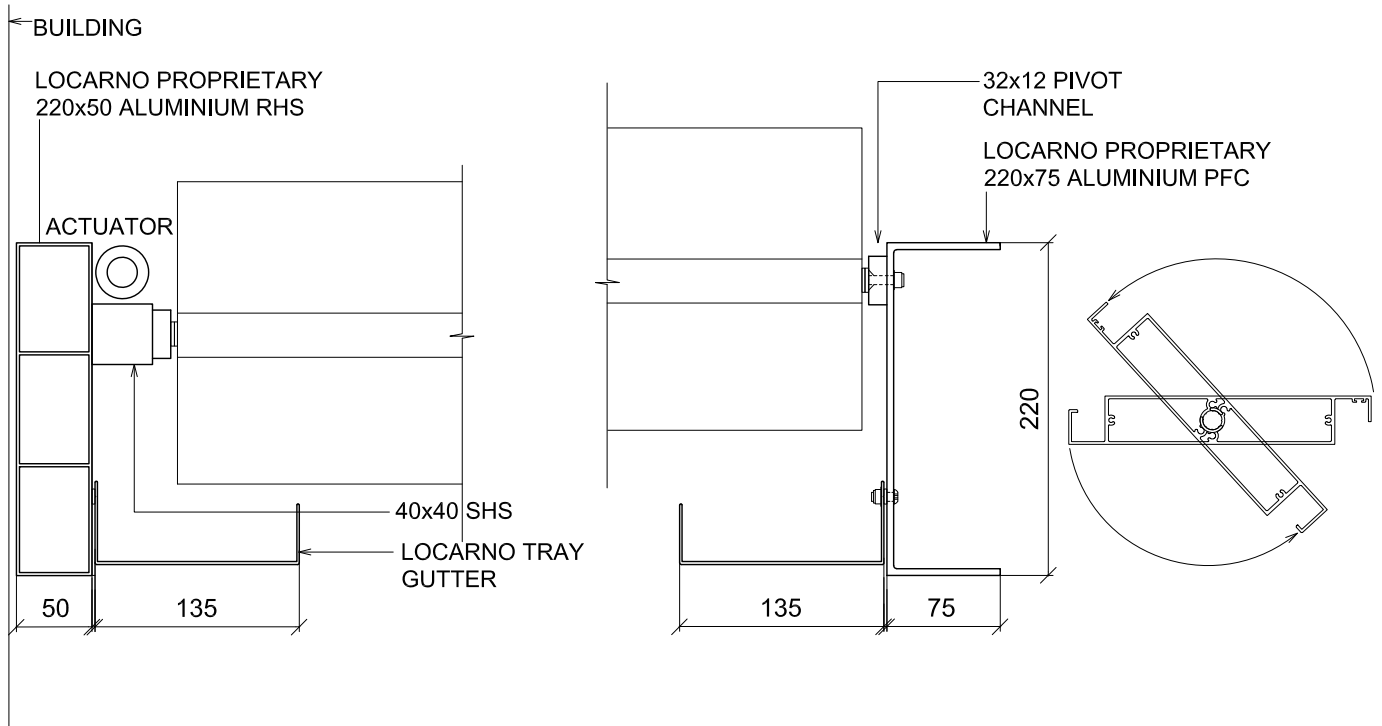
Scale : 1:5

Date Modified : 08.10.19

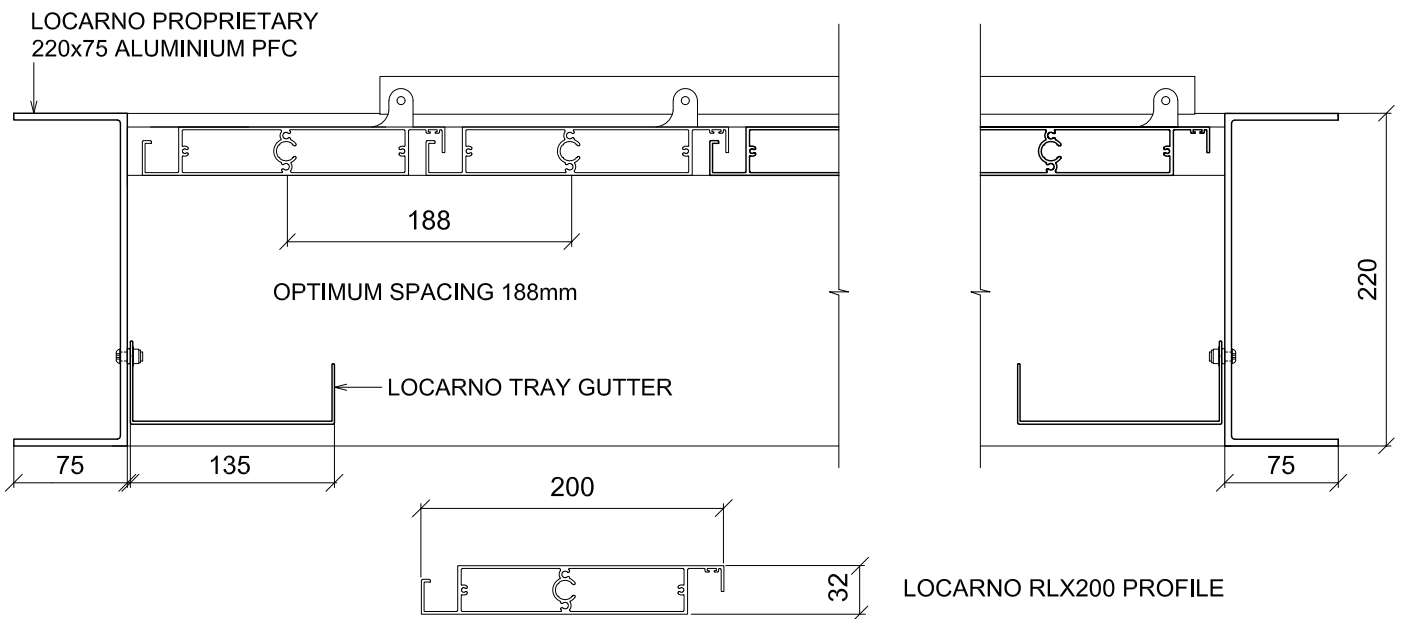
p +64 9 525 2525
 e info@locarno.co.nz
 www.locarno.co.nz
 (c) LOCARNO LOUVRES 2019

RLX200 >> SINGLE BAY LOUVRE ROOF >> PFC FRAME

>>SHORT SECTION



>>LONG SECTION



LOUVRES CAN BE ORIENTATED AT RIGHT ANGLES OR PARALLEL TO THE BUILDING

LOCARNO LOUVRES

3.03

Scale : 1:5

Date Modified : 08.10.19

p +64 9 525 2525
e info@locarno.co.nz
www.locarno.co.nz
(c) LOCARNO LOUVRES 2019